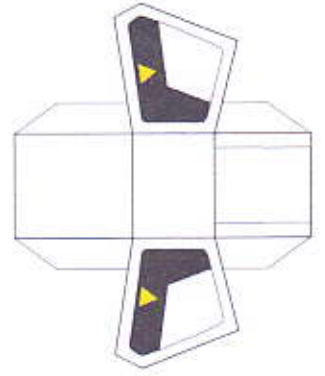
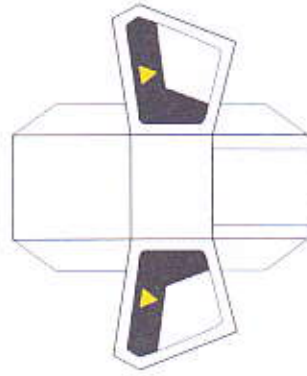
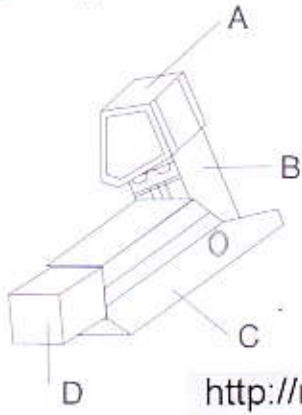
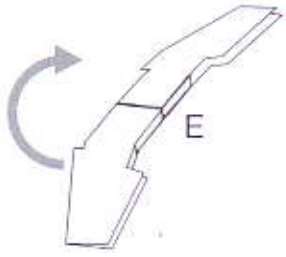
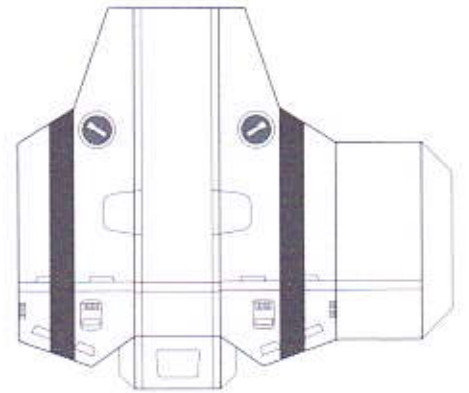
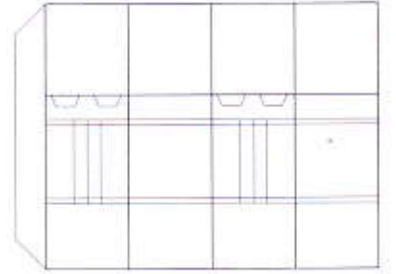
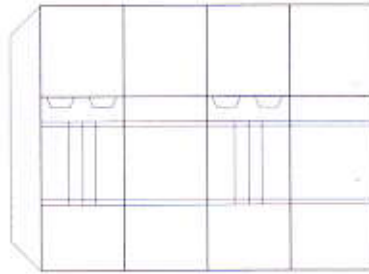


**VF-1S GERWALK 1/71**  
for MACROSS 1/3

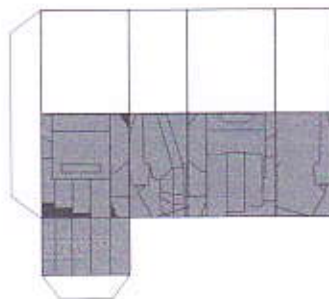
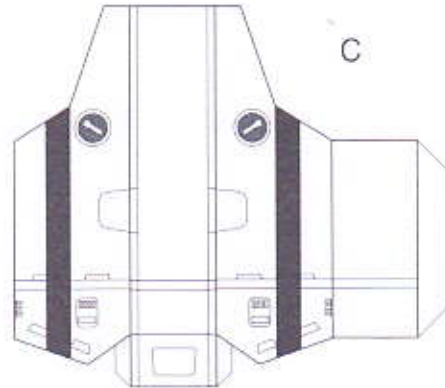


<http://maquettes.m6blog.fr/>

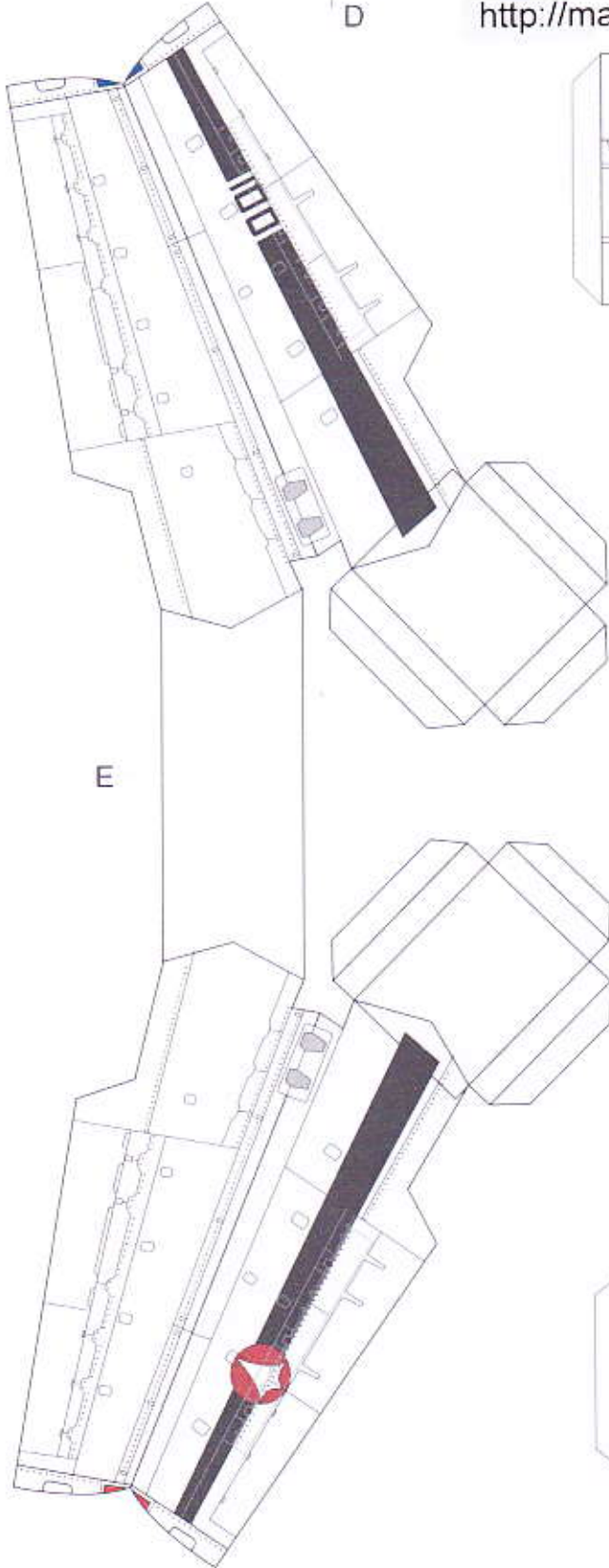
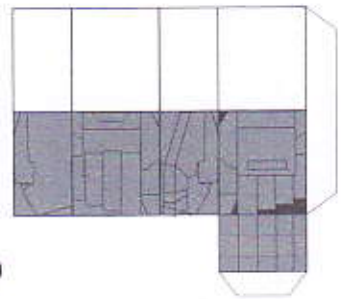
B



C

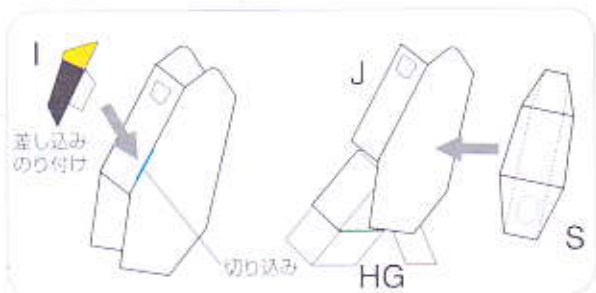
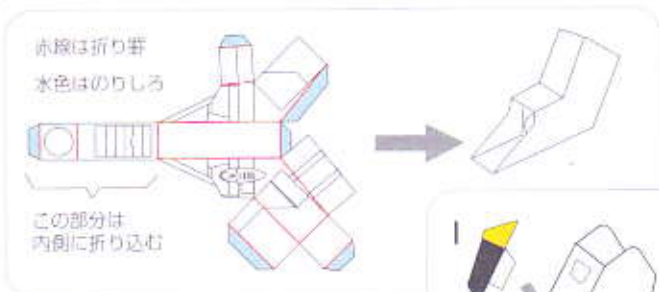
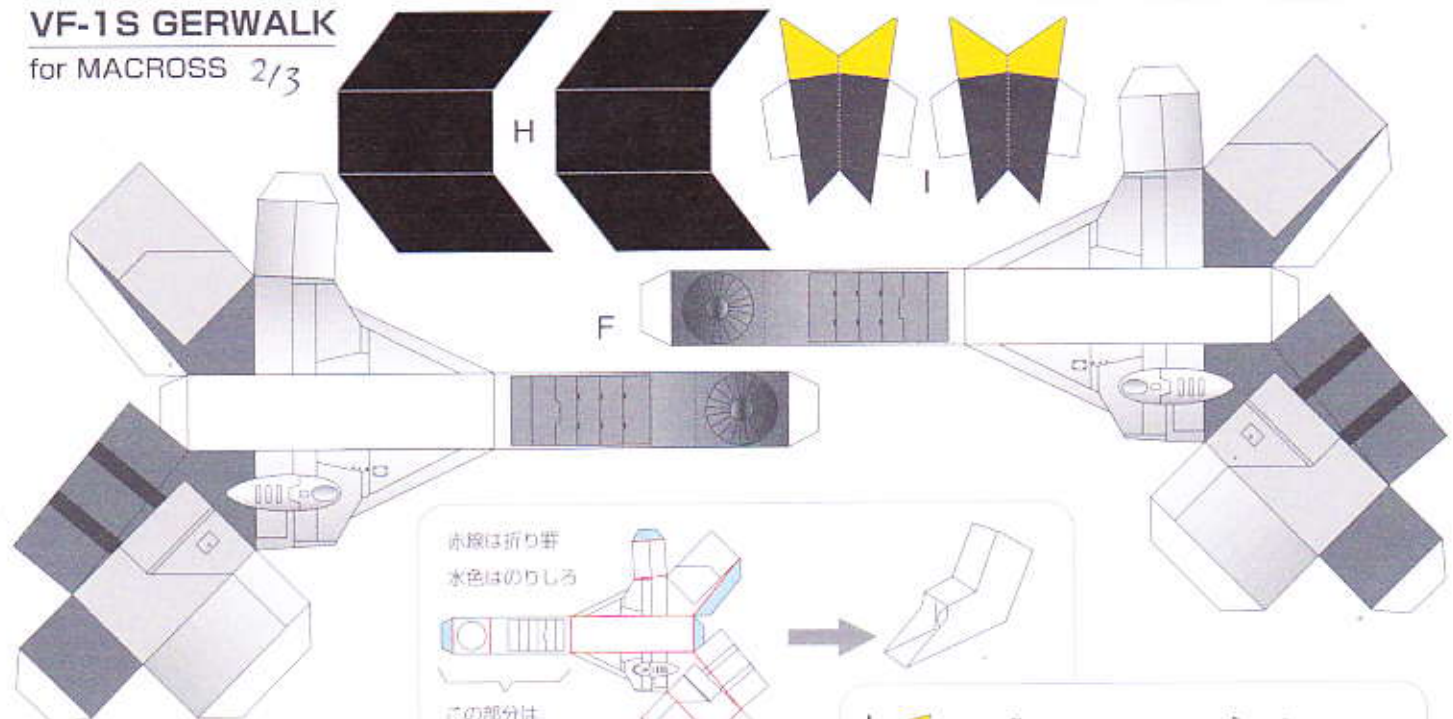


D

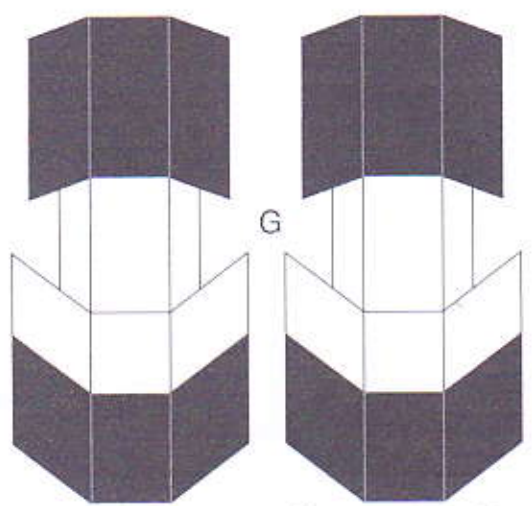


# VF-1S GERWALK

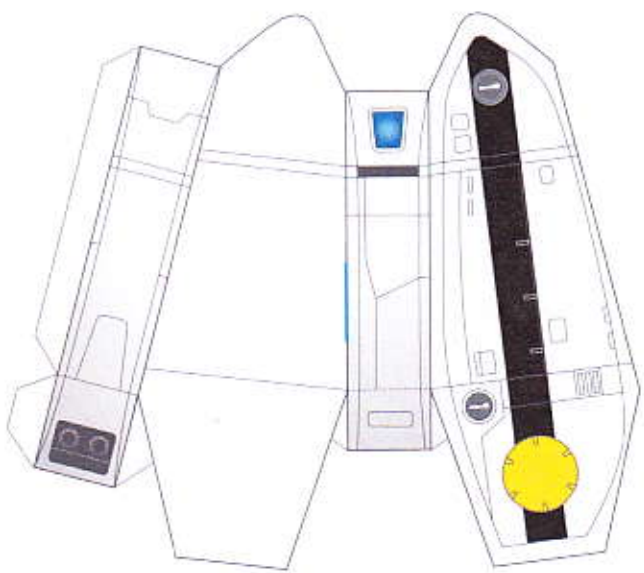
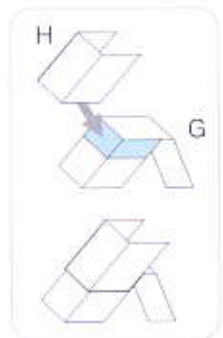
for MACROSS 2/3



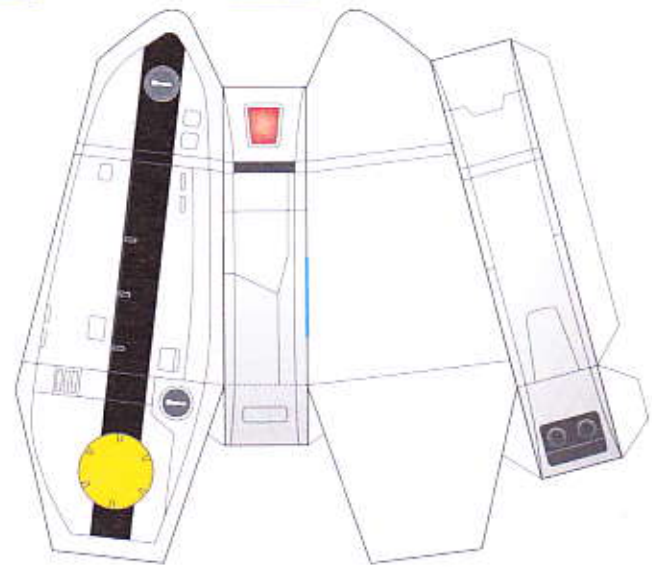
S



G



J

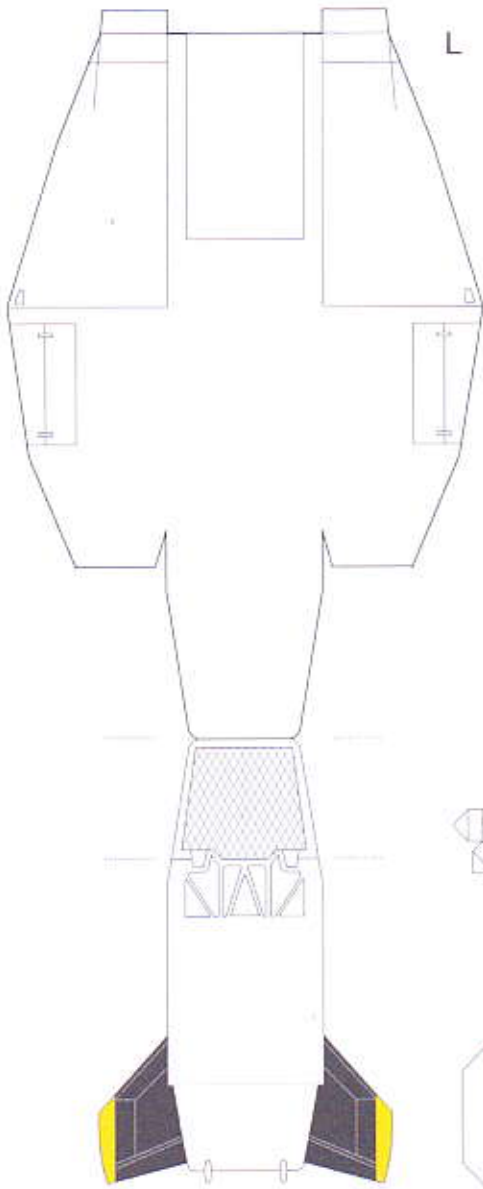




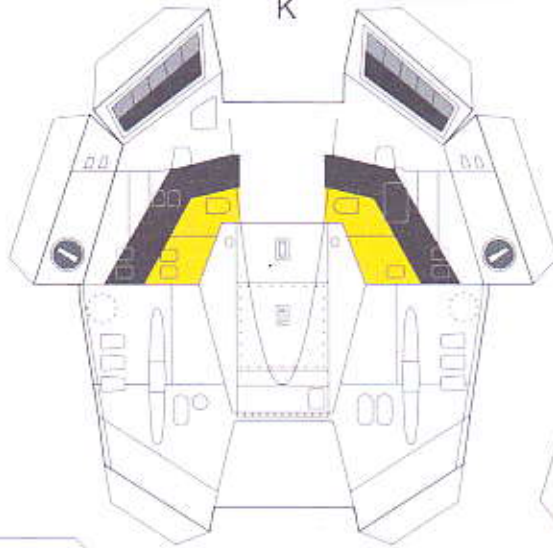
0 1 2 3 4 5 cm

<http://maquettes.m6blog.fr/>

**VF-1S GERWALK** 1/71  
for MACROSS 3/3



L



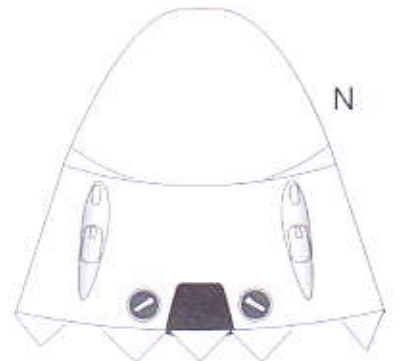
K



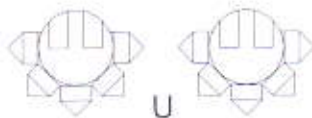
Q



M



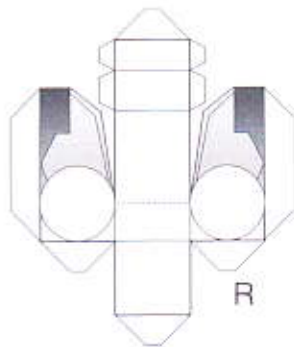
N



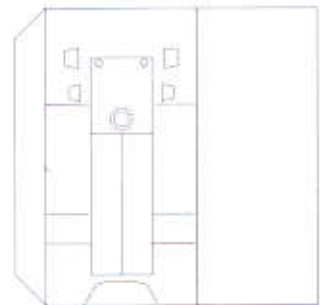
U



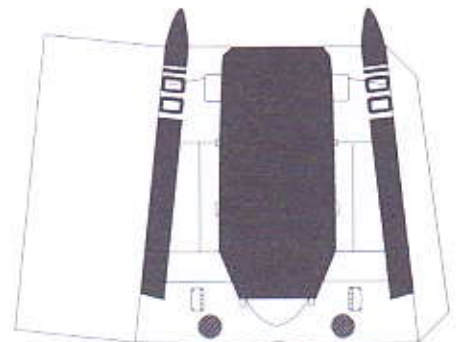
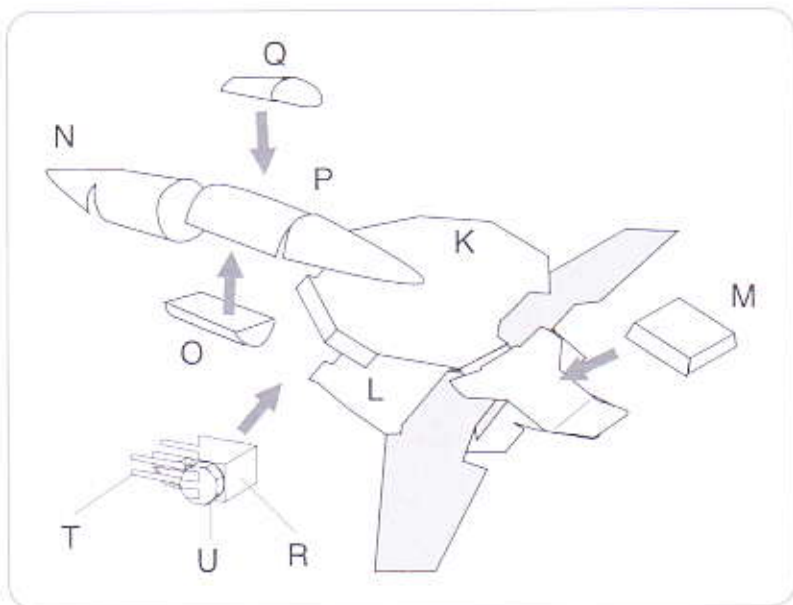
T



R



O



P

